

Extractor de Silent-Blocks

Silent-Blocks and bushes tools



Extractor de Silent-Blocks
Con ranura

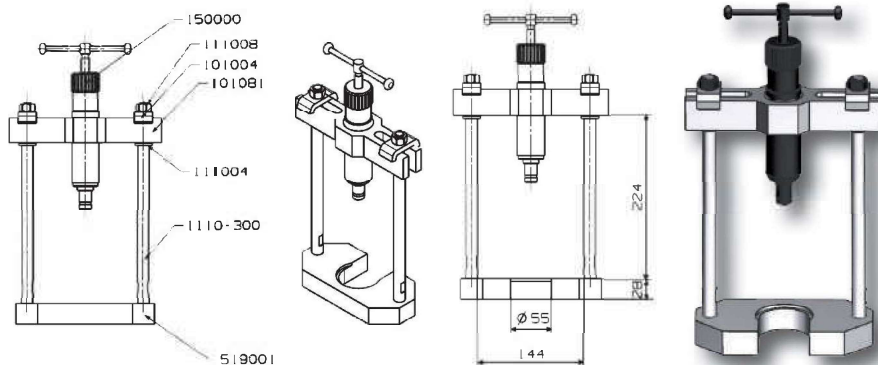
Silent-Blocks and bushes tools
With grooved tubes



Ref.	€/u.	Contiene / Contains	
5198	606,70	4 espárragos M10, M12, M14 y M16 con rodamiento 20 Casquillos de Ø34 a Ø72 con ranura 10 Tapas 4 Spindles; M10, M12, M14 and M16 with bearing 20 Shells internal Ø34 to Ø72 10 Cups	11,3

Ref.	€/u.		Ref.	€/u.
5198034	10,50	Ø Ext 44 Ø Int 34	51983438	15,10
5198036	10,50	Ø Ext 46 Ø Int 36	51983640	16,40
5198038	10,50	Ø Ext 48 Ø Int 38	51983438	15,10
5198040	11,80	Ø Ext 50 Ø Int 40	51983640	16,40
5198042	11,80	Ø Ext 52 Ø Int 42	51984246	16,90
5198044	11,80	Ø Ext 54 Ø Int 44	51984448	17,90
5198046	12,80	Ø Ext 56 Ø Int 46	51984246	16,90
5198048	12,80	Ø Ext 58 Ø Int 48	51984448	17,90
5198050	12,80	Ø Ext 60 Ø Int 50	51985054	18,90
5198052	13,50	Ø Ext 62 Ø Int 52	51985256	20,20
5198054	13,50	Ø Ext 64 Ø Int 54	51985054	18,90
5198056	13,50	Ø Ext 66 Ø Int 56	51985256	20,20
5198058	14,50	Ø Ext 68 Ø Int 58	51985862	23,10
5198060	14,50	Ø Ext 70 Ø Int 60	51986064	25,10
5198062	14,50	Ø Ext 72 Ø Int 62	51985862	23,10
5198064	15,30	Ø Ext 74 Ø Int 64	51986064	25,10
5198066	15,30	Ø Ext 76 Ø Int 66	51986670	27,00
5198068	15,30	Ø Ext 78 Ø Int 68	51986872	28,10
5198070	16,10	Ø Ext 80 Ø Int 70	51986670	27,00
5198072	16,10	Ø Ext 82 Ø Int 72	51986872	28,10

Rodamiento protegido
contra la suciedad
Bearing protected



Ref.	€/u.	
5192H	412,50	6,4

Puente hidráulico
Para extractor de Silent-Blocks
Hydraulic push puller

